

QUARTER-TURN WING KNOB STAINLESS STEEL 18 MM



Quarter-turn wing knob in locking or non-locking version in acid proof stainless steel 316. Universal clockwise or counter-clockwise rotation when opening or closing. Non-locking version sealed to protection degree IP65. Supplied with nut and two keys.



MATERIAL

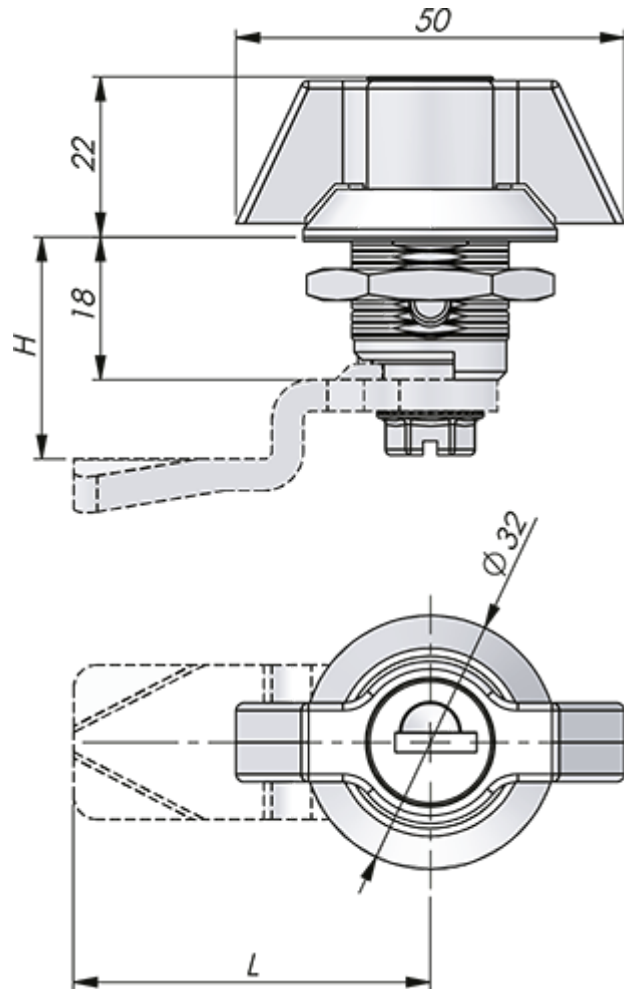
Cylinder: Zinc die cast, stainless steel 304 cap and dust shutter
Housing: Stainless steel 316
Knob: Stainless steel 316
Nut: Stainless steel 316
Screw: Stainless steel 316

RELATED PRODUCTS

Rod guides: 2-560, 2-570
Rod adapters: 2-541
Cams: 2-480, 2-490
Rods: 2-540, 2-545, 2-541
 Use the Index Code at industrilas.com

TECHNICAL INFORMATION

Key extraction: Open / Closed
Cylinder information: Supplied with two keys
Standards: IP65



P/N	Description	Material
249042-0	Non-locking	Stainless steel 316
249042-8	Keyed alike IL0333	Stainless steel 316

